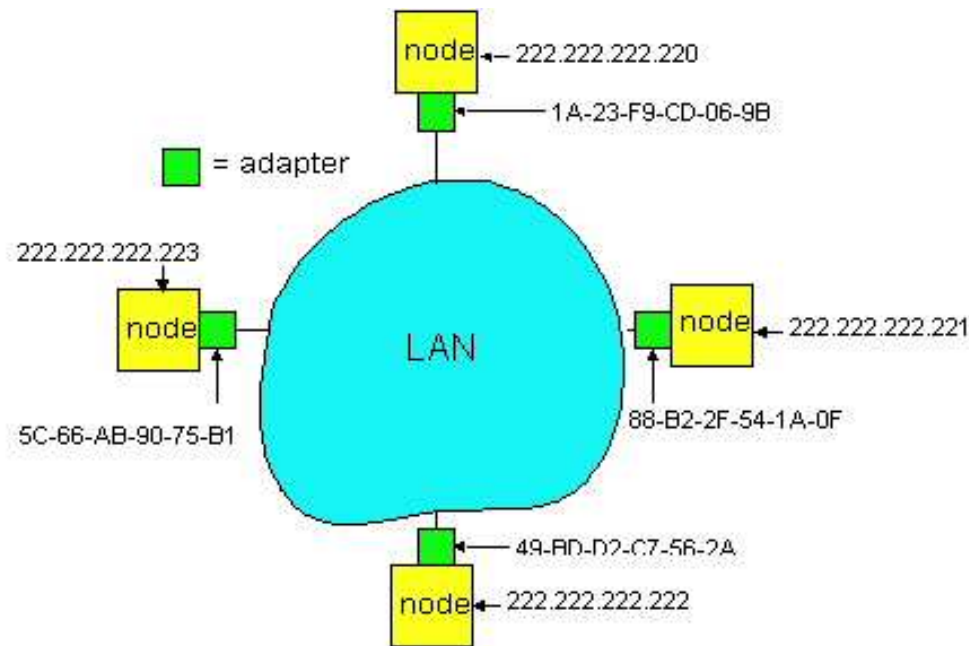


# ARP: Address Resolution Protocol

Question: how to determine MAC address of B given B's IP address?



- ❑ Each IP node (Host, Router) on LAN has **ARP** module, table
- ❑ ARP Table: IP/MAC address mappings for some LAN nodes
  - < IP address; MAC address; TTL >
  - < ..... >
  - TTL (Time To Live): time after which address mapping will be forgotten (typically 20 min)